



Trendy & technology  
the affordable way...



**GLOBAL PREMIER** Open Office Solutions

## Global Premier Open Office Solutions

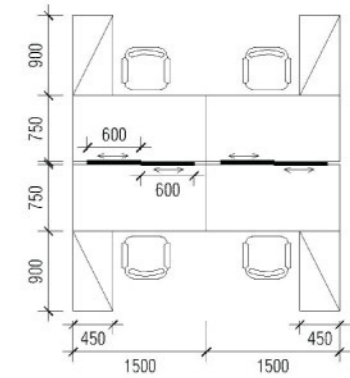
For today's complex office environments, office spaces are shrinking in footprint but growing in capacity requirements, UA provides an uncomplicated advanced open office solution. From a series of single desk to space-efficient open plan system and to conference table, UA fits the way you want to work.

UA was developed in response to creative and flexible solutions: seeking to simplify the process of designing large open office spaces; to deliver new, space-efficient and cost effective solutions; and to elevate the workplace beyond ordinary with current aesthetics.

UA is the linear planning solution designed for the long term. With its ability to adapt as your business needs change, you can add new desks, change layouts, take down, and rebuild with ease.

From vibrant colours to cool finishes, you can choose the look you want and personalize your desks screens with a variety of accessories. UA integrates fresh aesthetic with functionality, a desking system that works anywhere in the office and anywhere in the world.

VANDA



Cluster of 4

VANDA is remarkably diverse, offering a broad range of surface colours, and storage options. Providing a powerful case for adjustability, flexibility, comfort and style.



Storage cabinets: Efficient, economical and transformative.

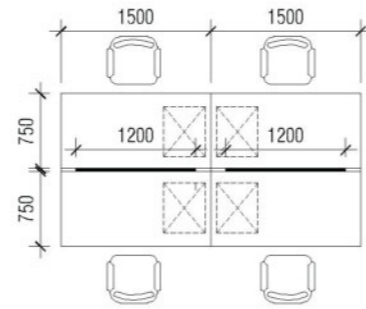


Slidable screens: For "sorting" or "arranging" provide an elegant means of space delineation and seated privacy in open plan configurations.

Trunking underneath: Complete power, voice and data wire management.



## VANDA



Cluster of 4

VANDA encompasses all elements needed to equip an entire office. The simple line's design approach incorporates aluminum base supports and unique configuration logic to deliver cost effective and visually appealing workstation environments.

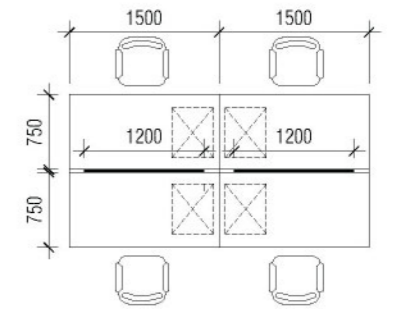


Black colour base White colour base



**Screen options:** Customize any office concept with a selection of finishes and colours option for privacy screens.

## GENISTRA



Cluster of 4

GENISTRA signature base is a line of highly efficient base components designed primarily for open office applications. The line is easy to specify and accommodates both functional and aesthetic requirements in any office facility. The design approach incorporates unique base profiles supported worksurfaces add functionality to the workspace.



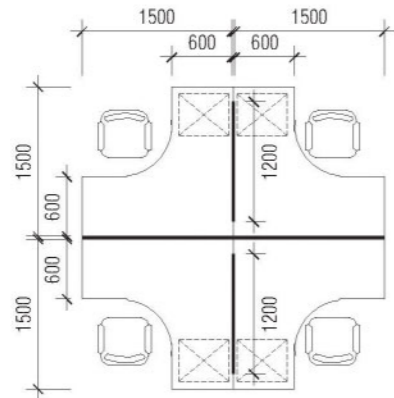
Black colour base White colour base



# CASSIA



Open Plan functionality and agility are maximized with durable CASSIA components designed to meet today's needs and to address tomorrow's as well. Vibrant collaborative environments are achieved by deploying lower privacy and advanced wire delivery elements.



**Cluster of 4**



**Base colour options:**  
Available in white colour, silver colour and dark grey colour.



**Wire management:**  
CASSIA has different wire management solutions, vertical and horizontal.

## CONFERENCE & MEETING

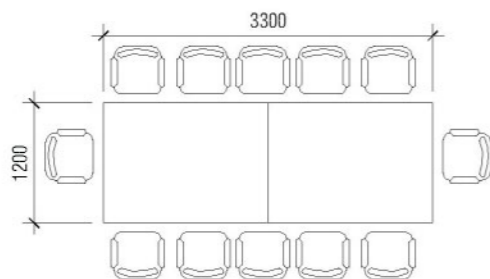
For conference and meeting tables, UA offers a huge number of possibilities in terms of sizes, surface materials and supporting legs to arrange your own boardroom.



VANDA



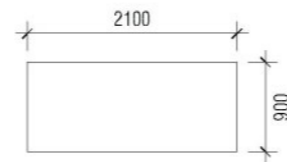
GENISTRA



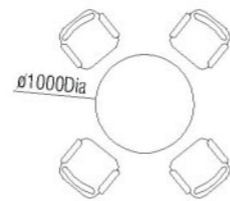
HANAKO

Base colour options: Available in white colour and black colour.

### TEMPERED GLASS TOP



### TEMPERED GLASS TOP



CAREX

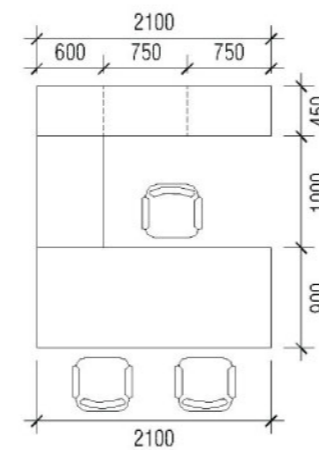
## PROFESSIONAL



VANDA



CASSIA



GENISTRA

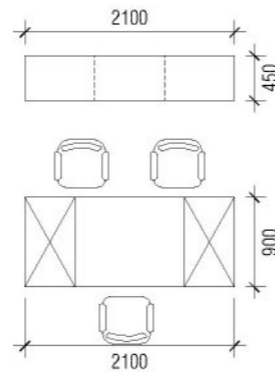
PROFESSIONAL features space saving, flexible environments that provide a welcoming atmosphere, while suiting the needs of managers and team leaders - making the most of every square inch of office space.

The combo cabinet, complete with shelving stores documents and office essentials. PROFESSIONAL encompasses 3 distinct leg styles with varying price points and aesthetic qualities.

## EXECUTIVE OFFICE FURNITURE



**TRITOMA**

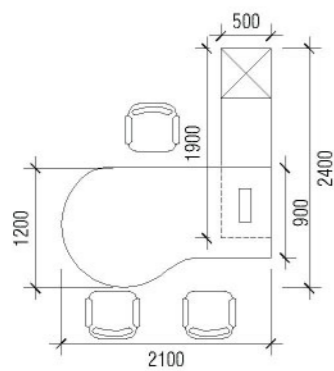


With metal modesty

A working space for the multi-tasking executive. A large worksurface allows for organization between working on projects and interfacing with guests. Pedestal and cabinet store office essentials, personal belongings and important files.



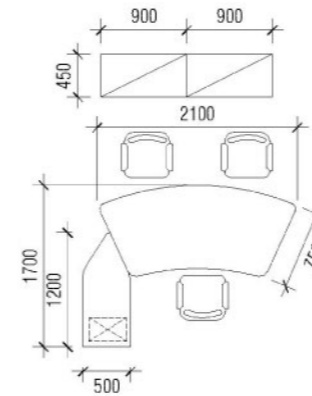
**CRINA**



## DIRECTOR OFFICE FURNITURE



Lateral Drawer

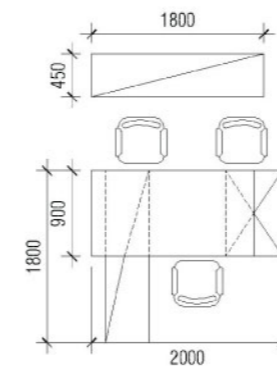


**HANAKO**

Together with door cupboards is a good choice for your director's office. Dark colour woodgrains finishes gives a smart and sophisticate image to your office.



**VANAMO**





Trendy & technology  
the affordable way...

